

Coffee System

Coffee Grinder with Hopper, 0,7 kg, black with medium duty grinder

ITEM # _____

MODEL # _____

NAME # _____

SIS # _____

AIA # _____


600656 (E810)

Single Portion Grinder with one 0,7 kg hopper (grind types: Espresso, Fine, Auto Drip, Drip, Percolator) - medium duty grinder

Short Form Specification

Item No. _____

Coffee grinder with hopper, black color. Fast grind time, suitable for various types of coffee. Compact dimensions for table top configuration.

Powerful motor with circuit breaker and manual on/off switch.

Main Features

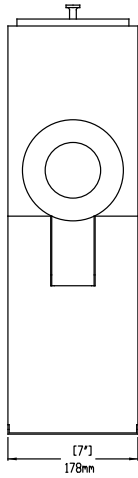
- Easy-to-Follow instructions.
- Available in black finish.
- Automatic Shut-off.
- Ideal for low to medium volume specialty shops, grocery and convenience stores.
- Espresso to percolator grind selection.
- Grind types: Espresso, Fine, Auto Drip, Drip, Percolator.
- How to Operate:
 - 1. Turn the selector knob to the desired grind setting.
 - 2. Fill the hopper with the desired type and amount of whole bean coffee. Close the lid.
 - 3. Place the bag underneath the spout.
 - 4. Press the grinder switch to the ON position.
 - 5. Once coffee is ground, press the grinder switch to the off position or grinder will continuously run.
 - 6. Remove bag from coffee spout once coffee is ground.

Construction

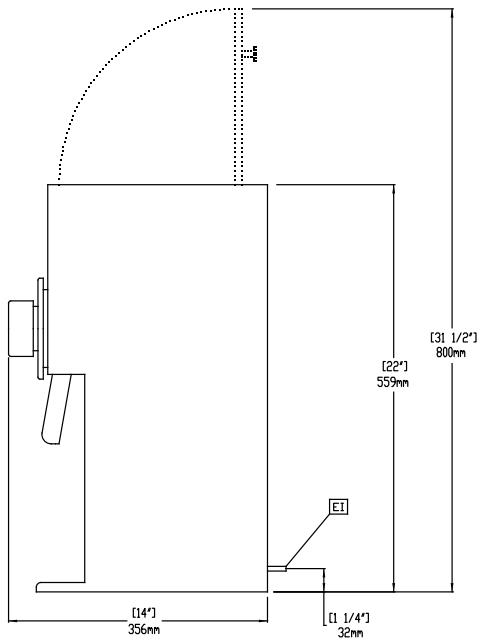
- Compact dimensions for table top configuration.
- Powerful motor with circuit breaker.
- Manual On/Off switch.
- Space saving design - 18cm wide.

APPROVAL: _____

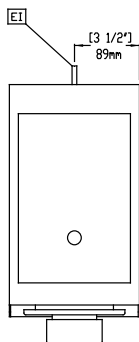
Front



Side



Top



Electric

Supply voltage: 230 V/1N ph/50 Hz
Electrical power max: 0.8 kW

Key Information:

Net weight: 17 kg
Shipping weight: 23.5 kg
Shipping height: 800 mm
Shipping width: 320 mm
Shipping depth: 470 mm
Shipping volume: 0.12 m³